

Piezo Ceramic Speakers

Broad Band Voice Capable
Harsh Environment Voice Capable

KSN 1090A

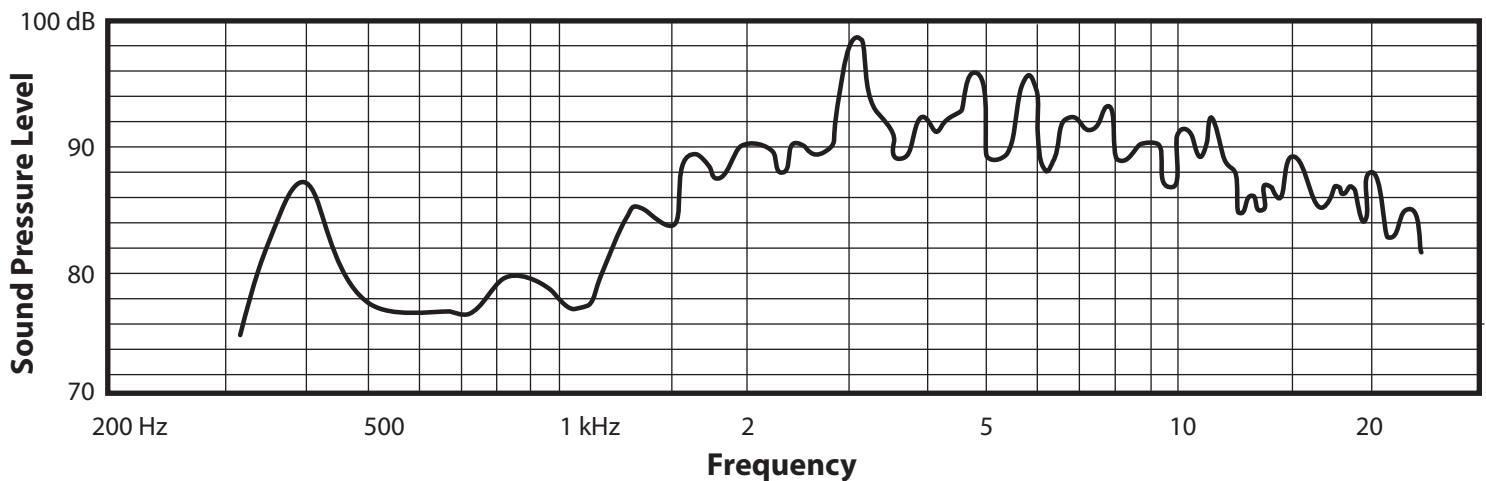
The KSN 1090A and 1103A are extended frequency range piezoelectric speakers designed to provide voice reproduction as well as higher frequencies. These speakers are lightweight with thin profiles, but robust enough to handle 50 W (EIA). The KSN 1090A and 1103A are designed for applications that require a broad frequency range, small size, lightweight, non-magnetic, rugged speaker.



KSN 1090A

The KSN 1103A utilizes a high strength phenolic cone which provides the resistance to humidity required for use in harsh environments.

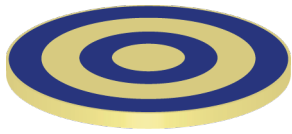
Frequency Response



 **Piezo Source**

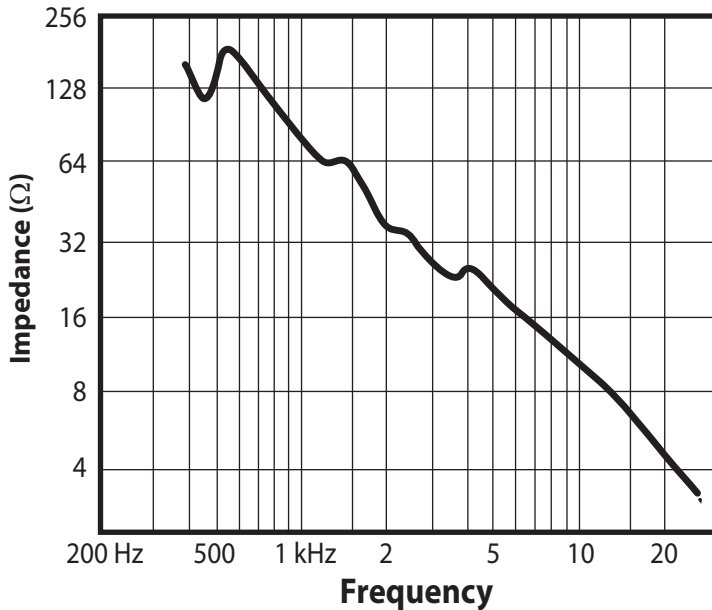
www.piezosource.com

250 East Gish Rd
San Jose, CA 95112
Phone: 408-487-1700
Fax: 408-487-1707
Email: sales@piezosource.com



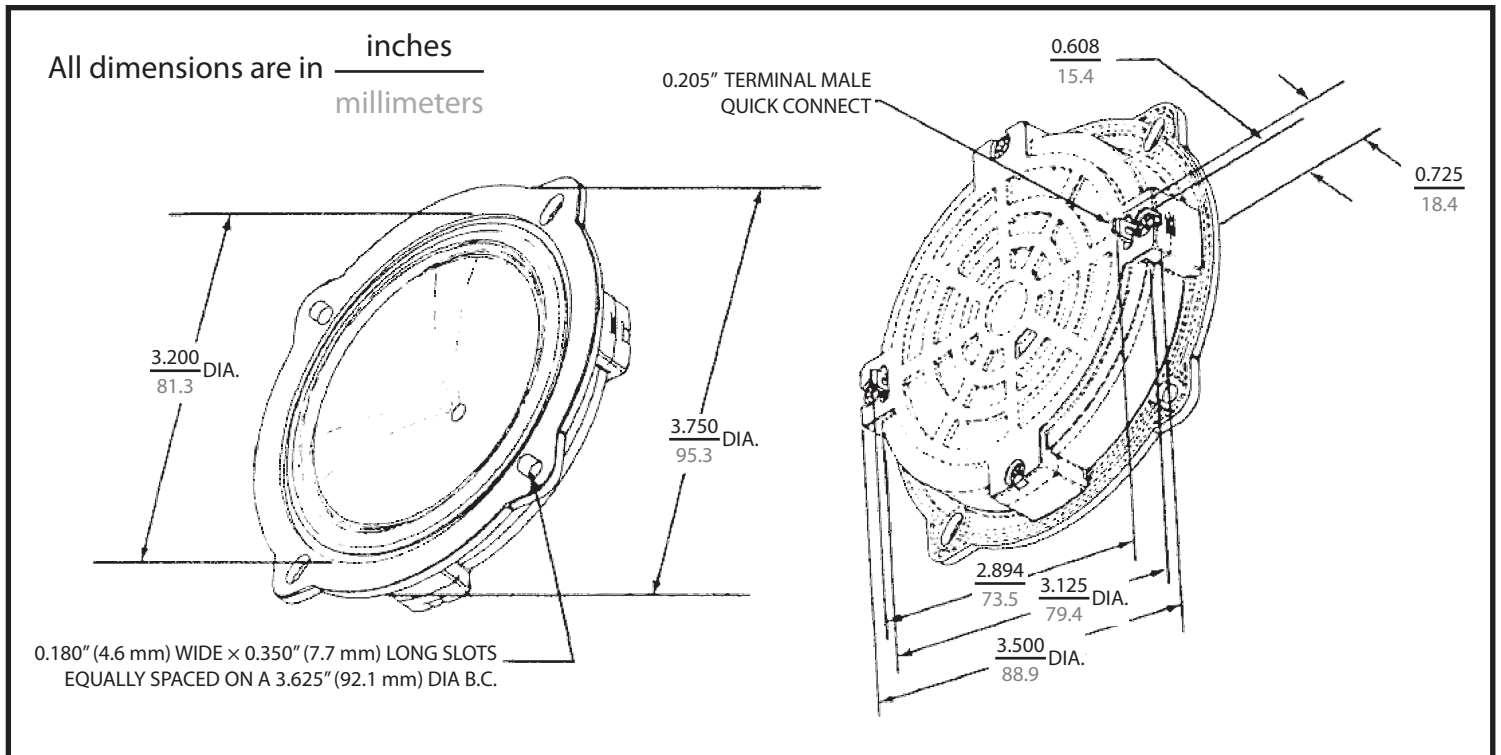
Piezo Ceramic Speakers

KSN 1090A/1103A Specifications



- Frequency Response:** 450 Hz to 20 kHz
- Average Sensitivity:** 82 dB at 1m/1W
- Maximum Power Handling Capacity:** 50 W (EIA RS426) (8 Ω system reference)
- Weight:** 1.1 oz (33 g)
- Shock:** 1000 G, 1 ms
- Temperature:** -40 to 105 °C (1103A only)
- Humidity:** 100% RH (MIL STD 810C; Method 509.1; Salt Fog) (1103A only)
- Typical Impedance:** Appears as a 1.5 μF capacitor

KSN 1090A/1103A Dimensions



www.piezosource.com

250 East Gish Rd
 San Jose, CA 95112
 Phone: 408-487-1700
 Fax: 408-487-1707
 Email: sales@piezosource.com