



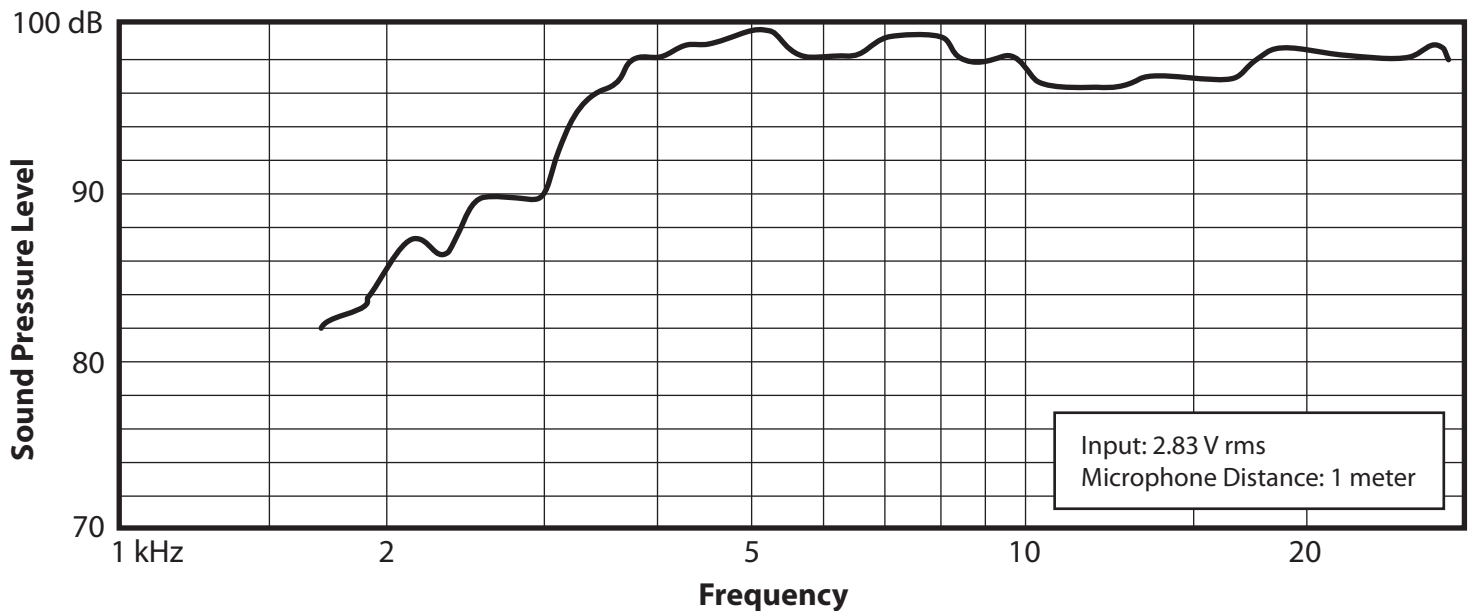
Piezo Ceramic Speakers

Model KSN 1177A TD Bullet Tweeter

The KSN 1177A Twin Drive (TD) bullet tweeter provides a new look with outstanding acoustic performance. The TD Bullet is rated at 99 dB (@ 1m/1W) with exceptional smoothness over the operating range of 3.5 kHz to 20 kHz. Power handling is 100 W.



Frequency Response



www.piezosource.com

250 East Gish Rd
San Jose, CA 95112
Phone: 408-487-1700
Fax: 408-487-1707
Email: sales@piezosource.com



Piezo Ceramic Speakers

KSN 1177A Specifications

Frequency Response: 3.5 kHz to 20 kHz

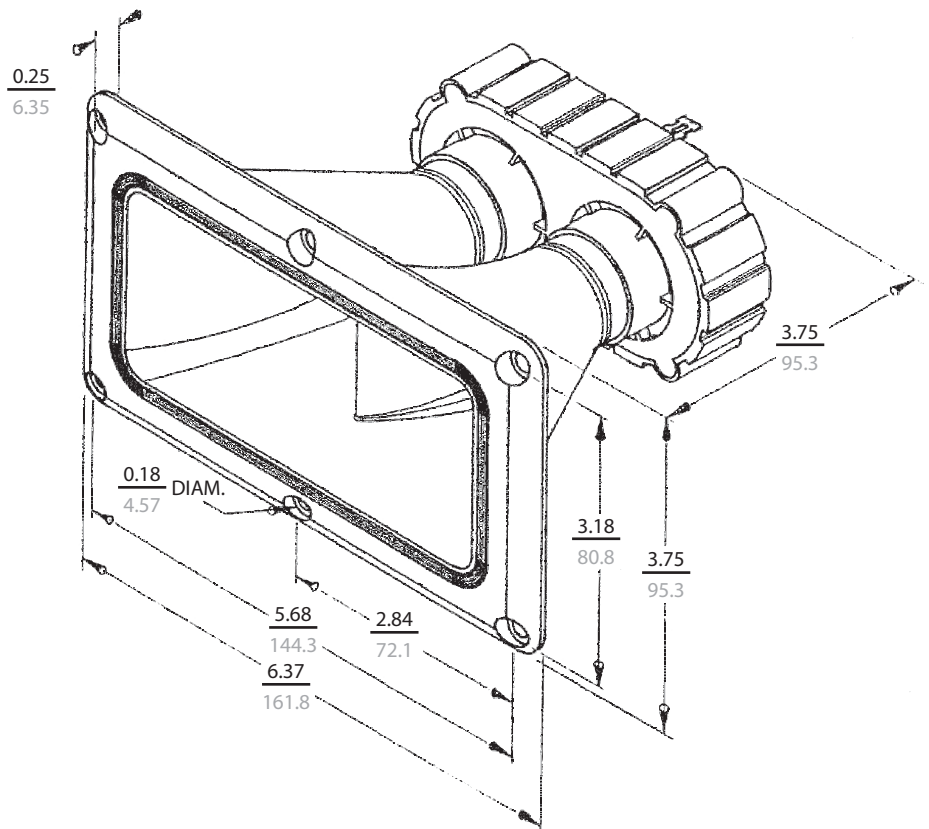
Average Sensitivity: 99 dB at 1m/1W

**Maximum Power
Handling Capacity:** 100 W (EIA RS426)
(8 Ω system reference)

Maximum Storage Temperature: 90 °C (194 °F)

Typical Impedance: Appears as a 0.26 μ F
capacitor

KSN 1177A Dimensions



All dimensions are in $\frac{\text{inches}}{\text{millimeters}}$

Warning: Do not operate at continuous high voltage. At frequencies below 20 kHz, daily sound pressure exposures in excess of one hour at 105 dB may lead to hearing impairment.

Warning: A 30 ohm series resistor is recommended to assure stability of extended range amplifiers and preclude hazard of burnout.



www.piezosource.com

250 East Gish Rd
San Jose, CA 95112
Phone: 408-487-1700
Fax: 408-487-1707
Email: sales@piezosource.com