



Piezo Ceramic Speakers

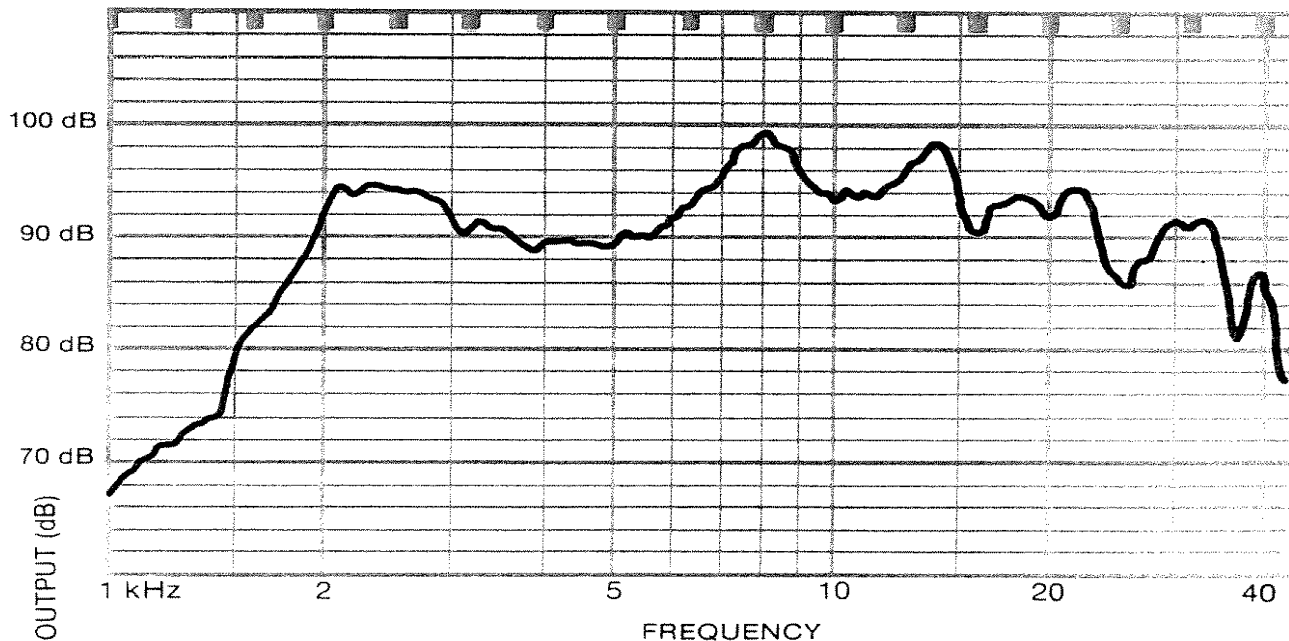
Model KSN 1141B Wide Dispersion Horn

The 2 KHz Horn Speakers incorporate protection circuitry which allows them to be used safely with amplifiers rated as high as 400 watts. This results in a product that is practically blowout proof.



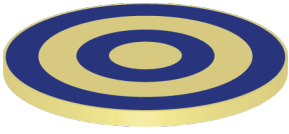
KSN 1141B

KSN 1141B FREQUENCY RESPONSE



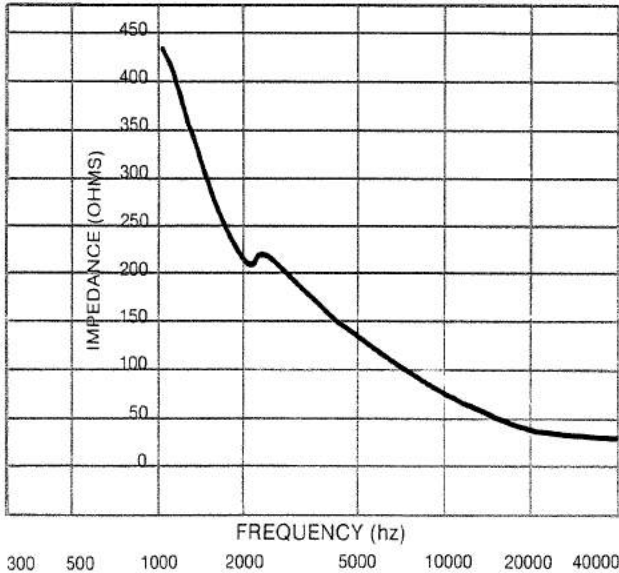
www.piezosource.com

250 East Gish Rd
San Jose, CA 95112
Phone: 408-487-1700
Fax: 408-487-1707
Email: sales@piezosource.com



Piezo Ceramic Speakers

IMPEDANCE CURVE



KSN 1141B Specifications

Frequency Response: 1.8 kHz to 30 kHz

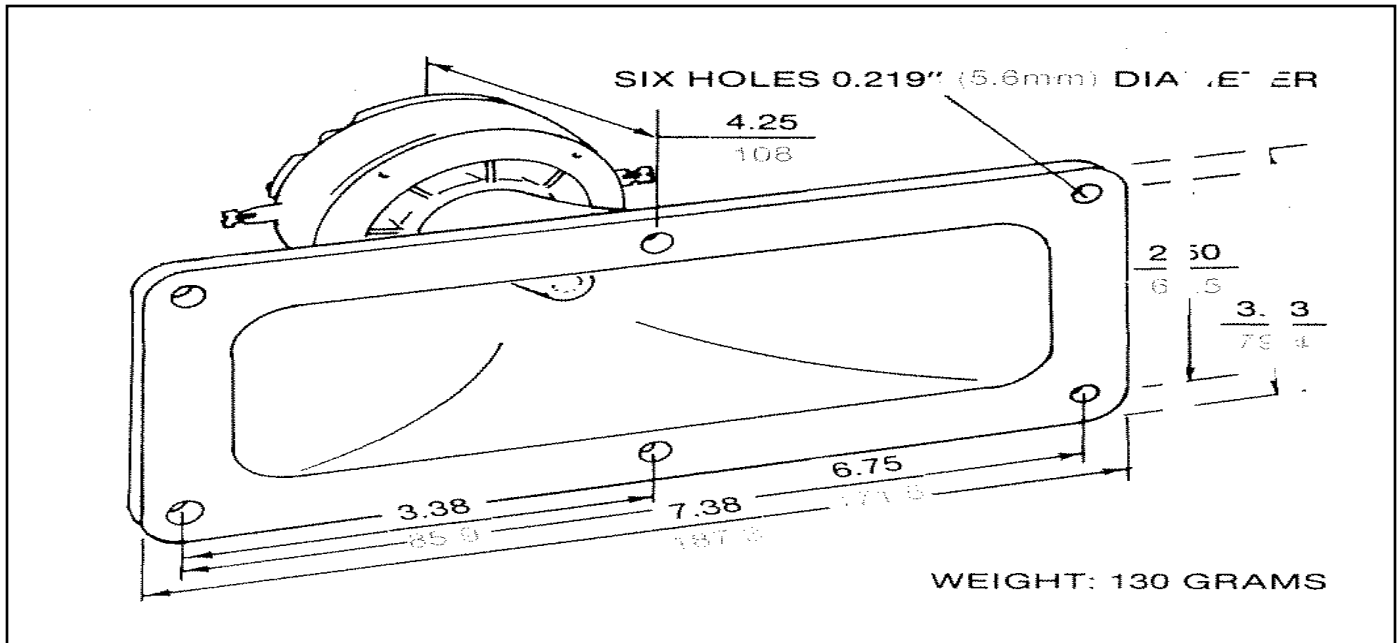
Average Sensitivity: 92 dB at 1m/2.83v

Maximum Power Handling Capacity: 400 W (EIA RS426)
(8 Ω system reference)

Maximum Temperature: 80°C

Typical Impedance: Appears as a 0.3 μ F capacitor in a 30 ohm resistor

KSN 1141B DIMENSIONS



Piezo Source

www.piezosource.com

250 East Gish Rd
San Jose, CA 95112
Phone: 408-487-1700
Fax: 408-487-1707

Email: sales@piezosource.com