

# Piezo Ceramic Speakers

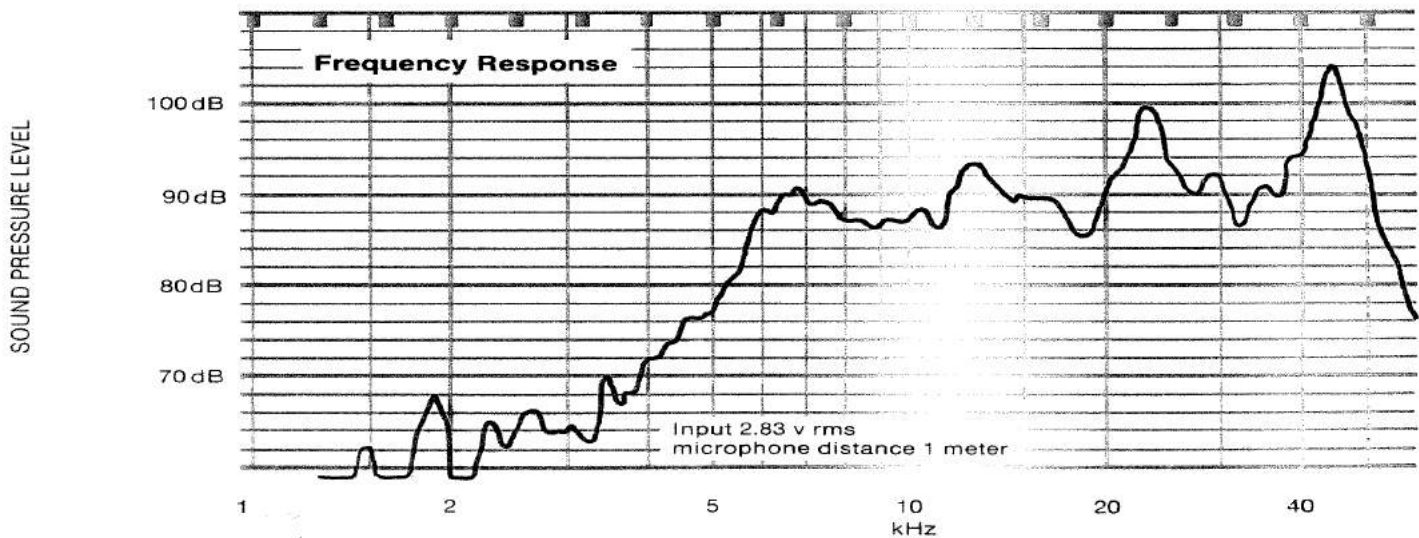
## Model KSN 1076A Direct Radiating Tweeter

The 1.5" tweeters combine excellent sensitivity (88dB@1M/1W) over an extended range of response from 6 kHz to 50 kHz. The tweeters are also constructed with high temperature materials allowing for maximum performance at environmental extremes and durability under conditions of shock, vibration and stress.



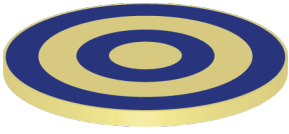
**KSN1076A**

### KSN 1076A FREQUENCY RESPONSE



[www.piezosource.com](http://www.piezosource.com)

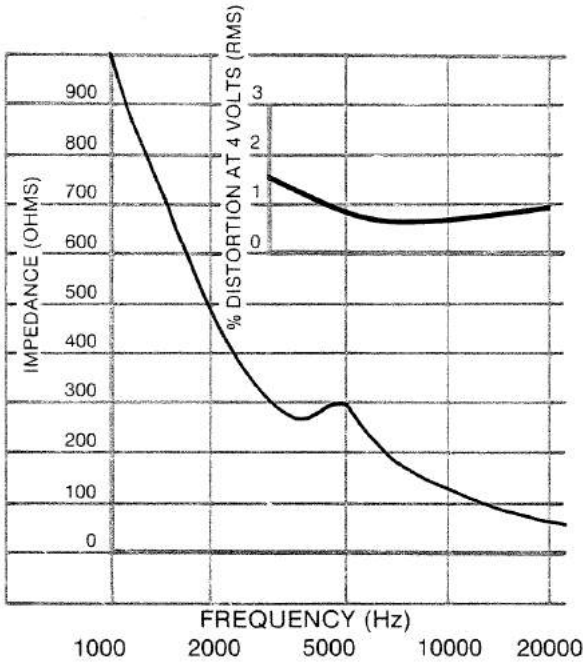
250 East Gish Rd  
San Jose, CA 95112  
Phone: 408-487-1700  
Fax: 408-487-1707  
Email: [sales@piezosource.com](mailto:sales@piezosource.com)



# Piezo Ceramic Speakers

## Impedance and Distortion Ratings

## KSN 1076A Specifications



**Frequency Response:** 6 kHz to 50 kHz

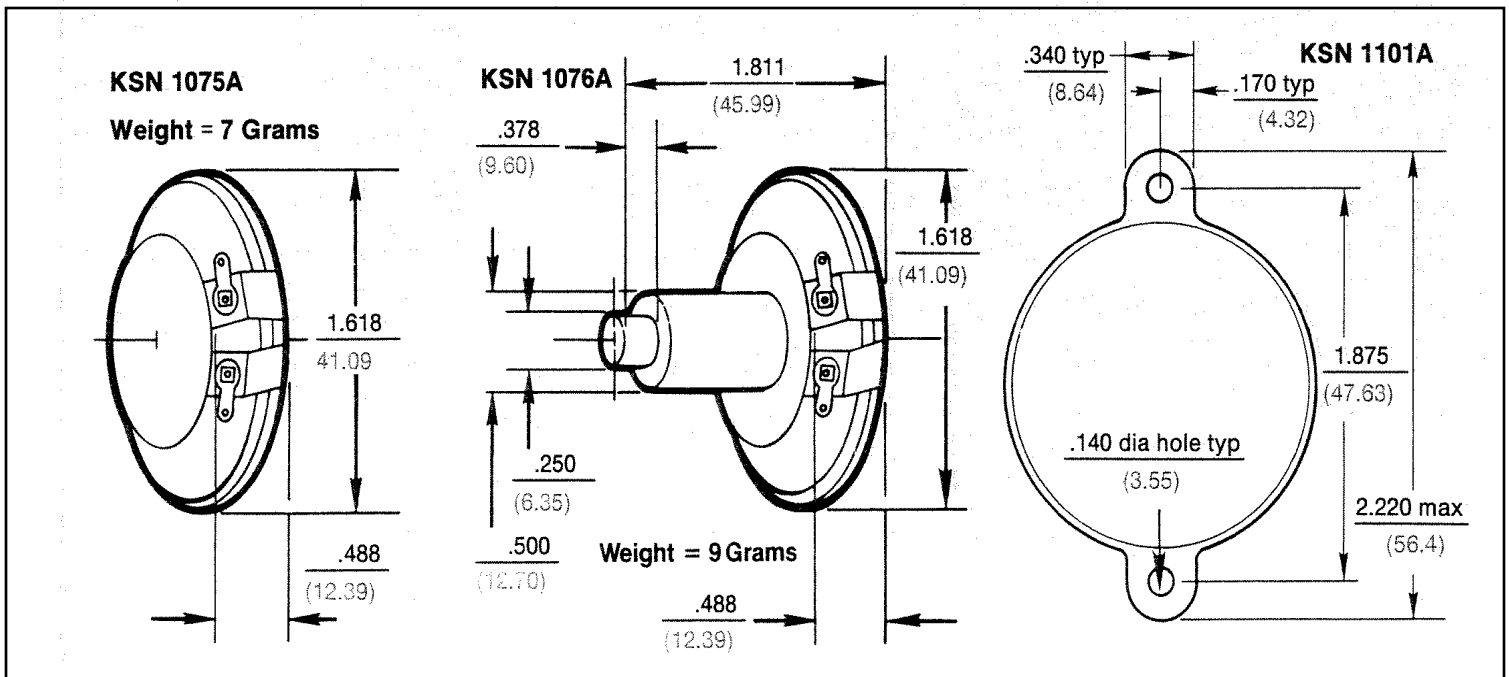
**Average Sensitivity:** 88 dB at 1m/1W

**Maximum Power Handling Capacity:** 50 W (EIA RS426)  
(8 Ω system reference)

**Maximum Temperature:** 99°C

**Typical Impedance:** Appears as a 0.13 μF capacitor

## KSN 1076A DIMENSIONS



All dimensions are  $\frac{\text{inches}}{\text{millimeters}}$

Devices described herein are manufactured under one or more of the following U.S. patents: 3,548,116; 3,786,202; 3,852,529; 3,629,625; 3,676,722; 4,078,160 and other patents granted or pending.



[www.piezosource.com](http://www.piezosource.com)

250 East Gish Rd  
San Jose, CA 95112  
Phone: 408-487-1700  
Fax: 408-487-1707  
Email: [sales@piezosource.com](mailto:sales@piezosource.com)