



Piezo Ceramic Speakers

Model KSN 1025A Wide Dispersion Horn Tweeter

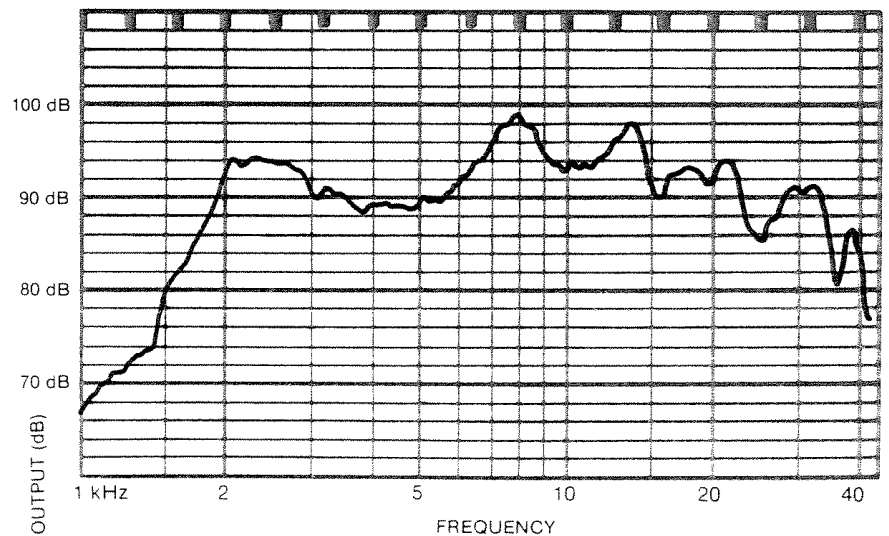
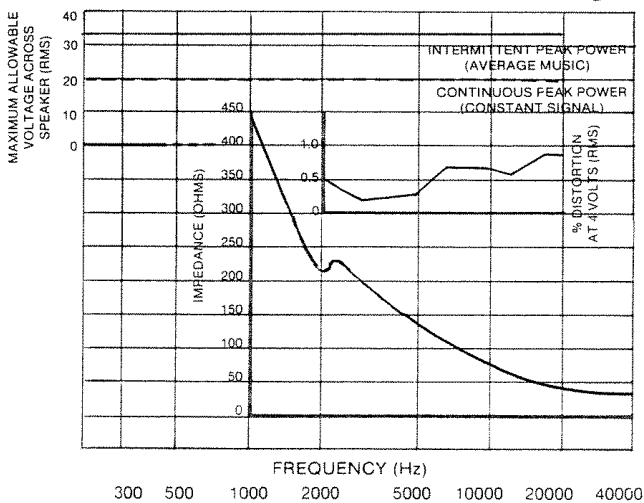
The 2 x 6 inch exponential horn has full 90 included angle horizontal dispersion. With an impedance of over 400 ohms at 1kHz, and still above 20 ohms at 40 kHz, the piezo ceramic speaker presents no added load to the amplifier and rejects low frequency power without requiring a crossover network. Electrically, these piezo ceramic speakers appear as 0.3 mfd capacitors and exhibit high efficiency (40 - 50%) in converting electrical energy into acoustical energy.



KSN 1025A

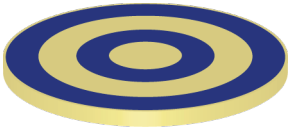
KSN 1025A FREQUENCY RESPONSE

Nominal Power, Impedance, and Distortion Ratings



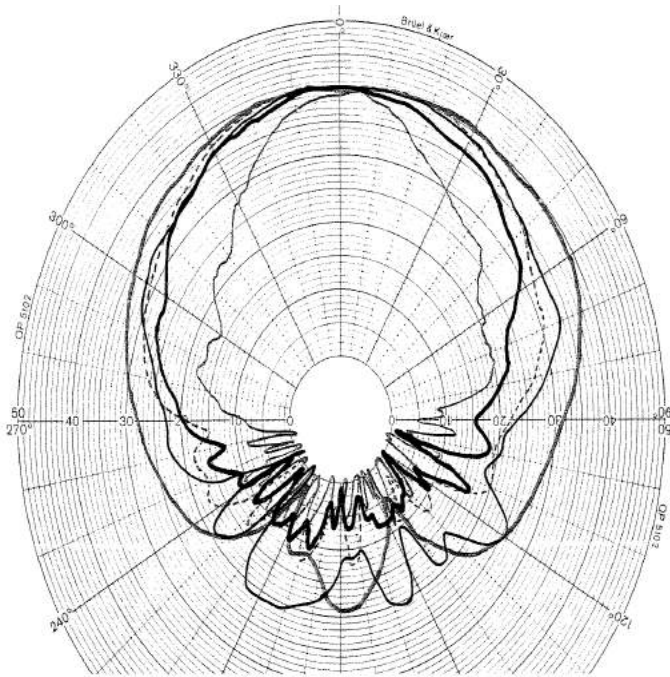
www.piezosource.com

250 East Gish Rd
San Jose, CA 95112
Phone: 408-487-1700
Fax: 408-487-1707
Email: sales@piezosource.com



Piezo Ceramic Speakers

KSN 1025A Specifications



Frequency Response: 1.8 kHz to 30 kHz

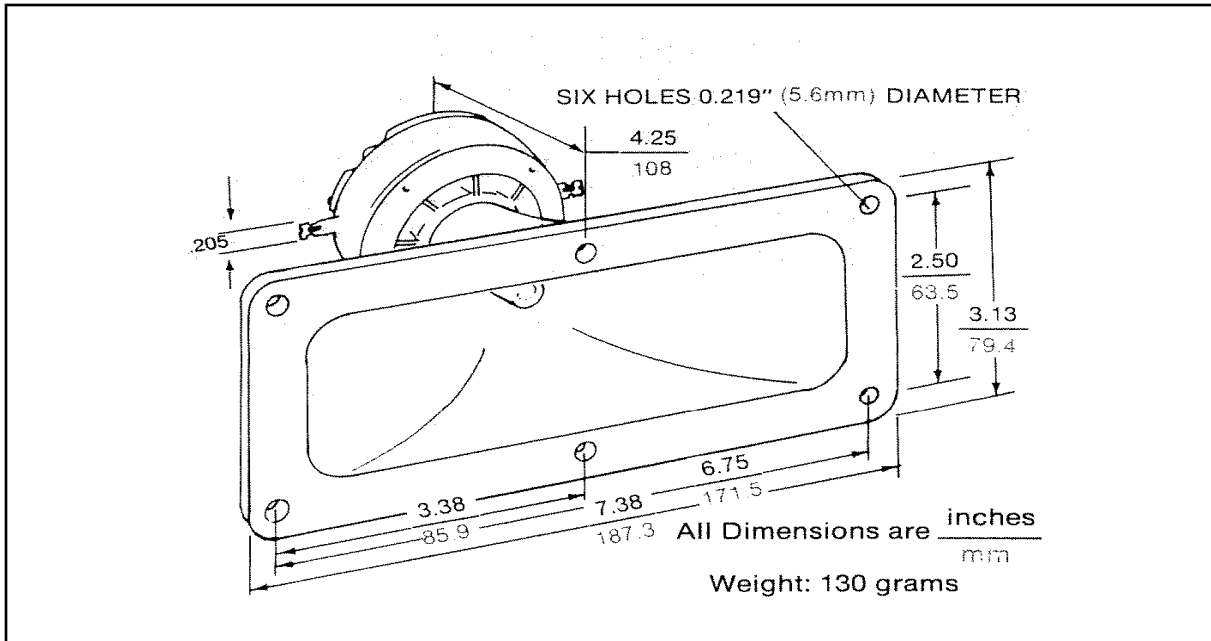
Average Sensitivity: 92 dB at 1m/1W

Maximum Power Handling Capacity: 75 W (EIA RS426)
(8 Ω system reference)

Maximum Temperature: 80°C

Typical Impedance: Appears as a 0.15 μF capacitor in a 30 ohm resistor

KSN 1025A DIMENSIONS



Warning: Do not operate at continuous high voltage; at frequencies below 20 kHz, daily sound pressure exposures in excess of one hour at 105 dB may lead to hearing impairment.



www.piezosource.com

250 East Gish Rd
San Jose, CA 95112
Phone: 408-487-1700
Fax: 408-487-1707

Email: sales@piezosource.com