

Piezo Ceramic Speakers

Model KSN 1020A Direct Radiating Tweeter

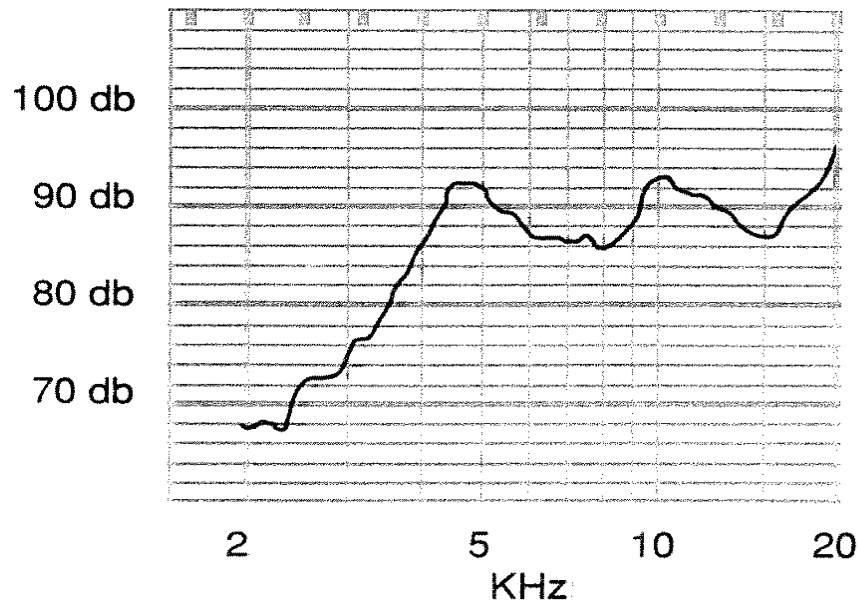
The 2" Direct Radiating Tweeters offer excellent performance to price characteristics, making the KSN1020 suitable for many audio applications. The model KSN1020 has tabs for mounting.



KSN 1020A

KSN 1020A FREQUENCY RESPONSE

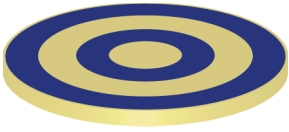
SOUND PRESSURE LEVEL



Piezo Source

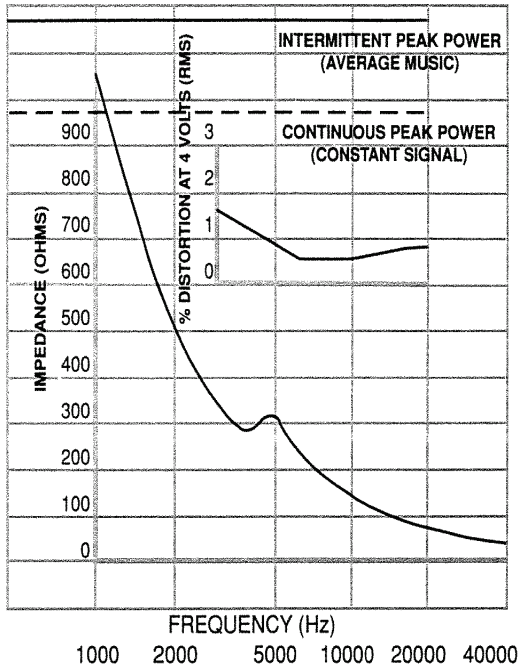
www.piezosource.com

250 East Gish Rd
San Jose, CA 95112
Phone: 408-487-1700
Fax: 408-487-1707
Email: sales@piezosource.com



Piezo Ceramic Speakers

Nominal Power, Impedance, and Distortion Ratings



KSN 1020A Specifications

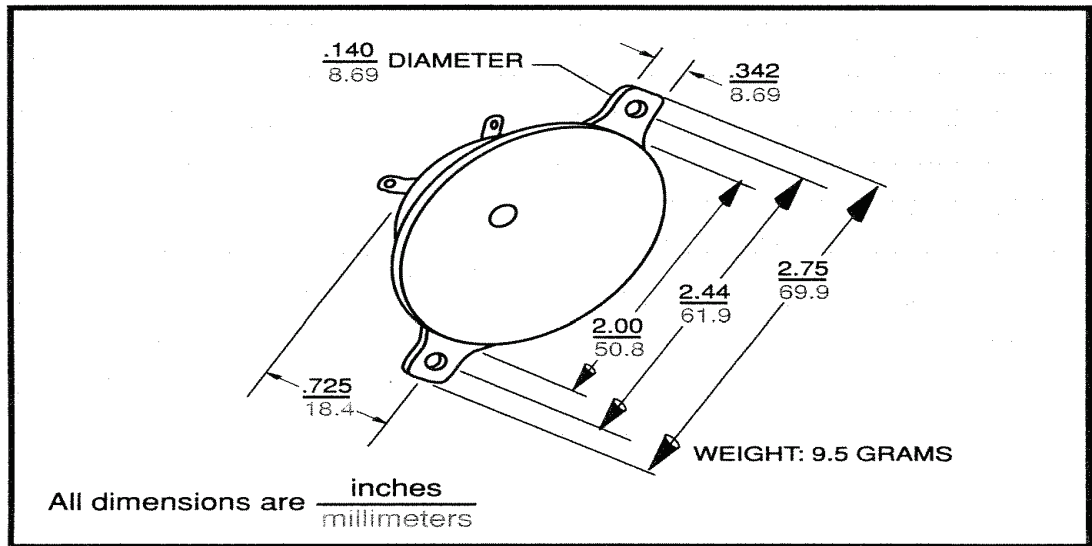
Average Sensitivity: 89 dB at 1m/1W

Maximum Power Handling Capacity: 50 W (EIA RS426)
(8 Ω system reference)

Maximum Temperature: 80°C

Typical Impedance: Appears as a 0.15 μF capacitor in a 30 ohm resistor

KSN 1020A Dimensions



WARNING: Do not operate at continuous high voltage at frequencies below 20kHz. Daily sound pressure exposures in excess of one hour at 105 db may lead to hearing impairment.

WARNING: A 30 ohm series resistor is recommended to assure stability of extended range amplifiers and preclude hazard of burnout.



www.piezosource.com

250 East Gish Rd
San Jose, CA 95112
Phone: 408-487-1700
Fax: 408-487-1707
Email: sales@piezosource.com